

MASTER

New Generation Hinge Systems



samet

Master Soft-Close Hinge is a new generation hinge system, ensuring a high level of movement and assembly comfort due to high-level adjustment feature. It was developed after research and advanced tests carried by SAMET R&D center.

Perfect Design

Master Soft-Close Hinge ensuring a high level of movement and assembly comfort due to high-level adjustment feature. An exclusively developed integrated soft-close mechanism was installed in the hinge body with an innovative design to provide the hinge more stable function.

Easy Installation

Track Mechanism in **Master Soft-Close Hinge** provides toolless assembly-disassembly feature, which also simplifies installation process and help to save time.



High Quality

Master Soft-Close Hinge Series were designed with the advanced technology of SAMET R&D Center and produced by using fully - automated robotic production systems.

Advanced 3D Adjustment

Wide range 3D adjustment in six direction ensures assembly comfort and better precision for furnitures.

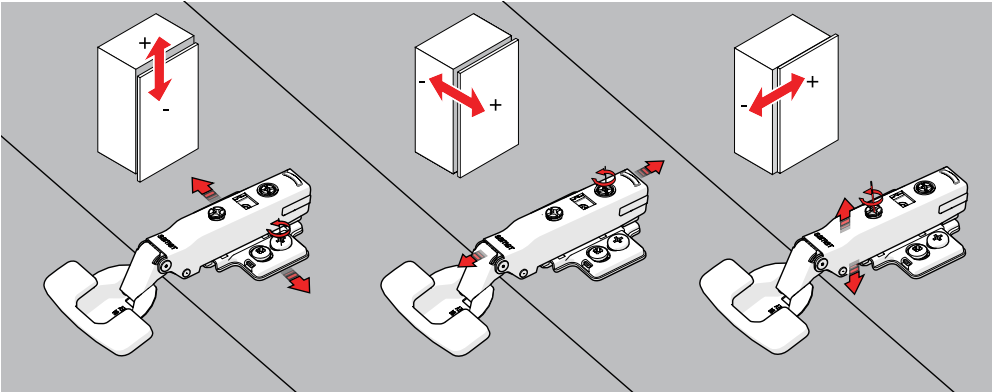
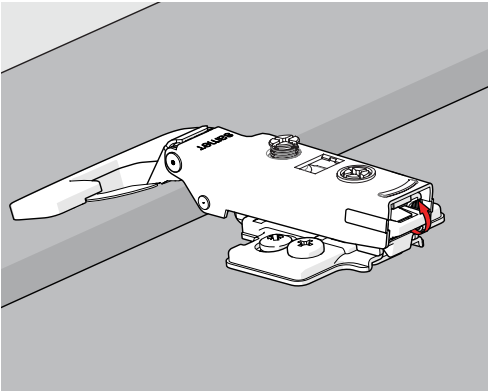
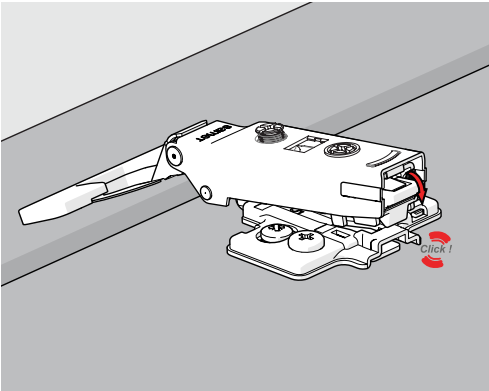
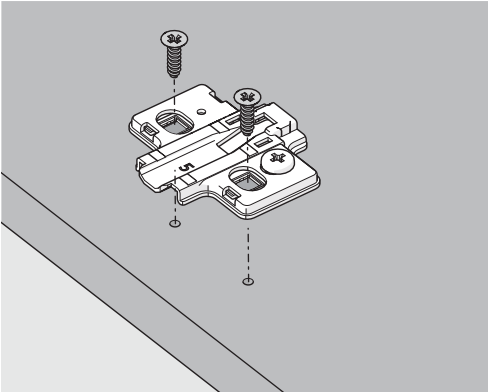
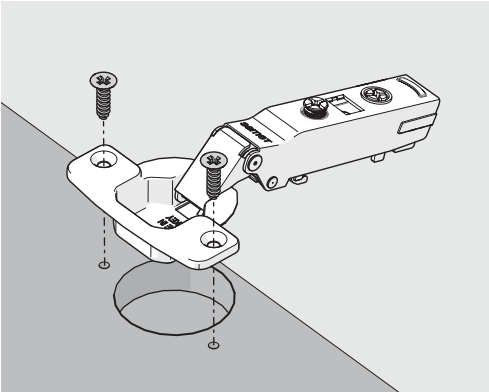


TOOL-LESS

Hinge System

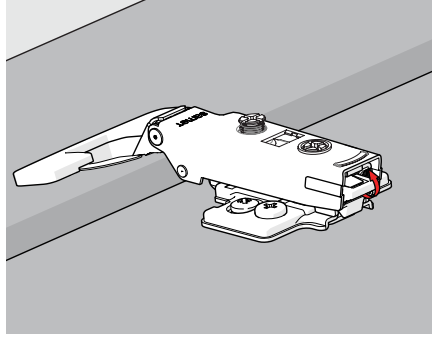
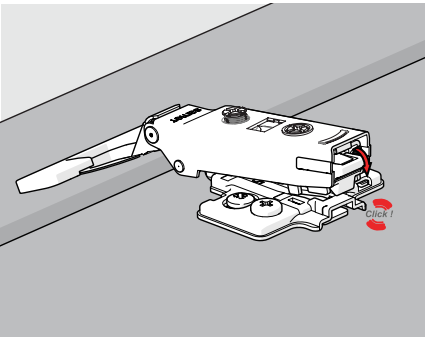
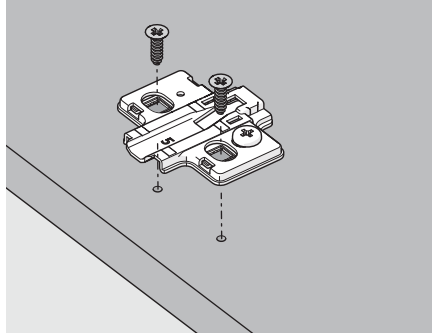
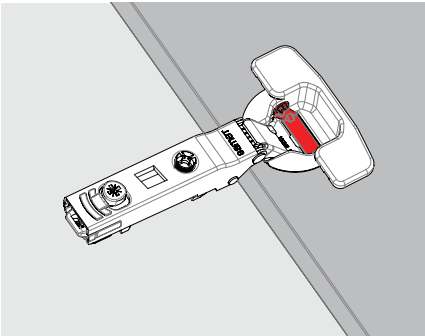
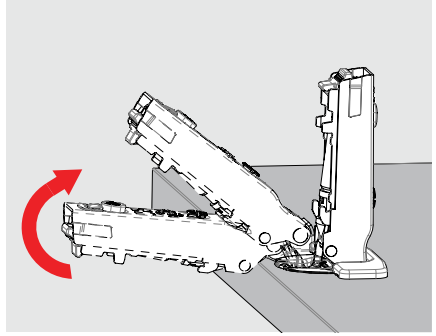
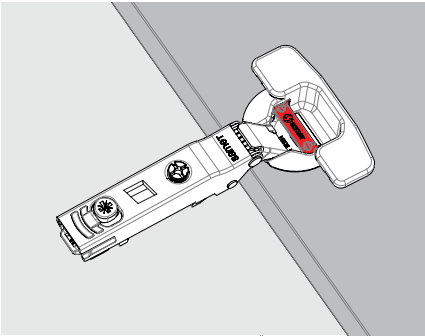
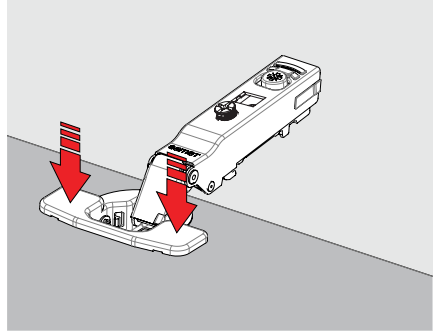
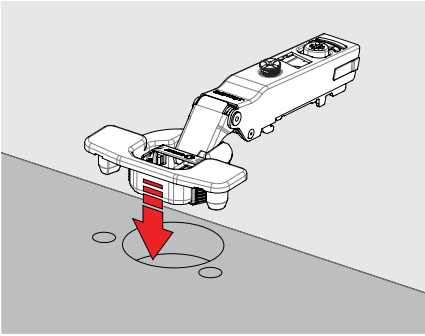


- Easy, practical and quick mounting system ◀
- Simplification of furniture production ◀
- No need for any tool for assembly ◀
- Ideal solution for DIY furniture ◀








TOOL-LESS

Assembly Instructions



Cranking		Crank 0	Cranking		Crank 9	Cranking		Crank 18
DEFINITION		CODE	DEFINITION		CODE	DEFINITION		CODE
45 Axis		10100411	45 Axis		10100421	45 Axis		10100431
45 Axis Ø8 Dowel		101004111	45 Axis Ø8 Dowel		101004211	45 Axis Ø8 Dowel		101004311
45 Axis Ø10 Dowel		101004112	45 Axis Ø10 Dowel		101004212	45 Axis Ø10 Dowel		101004312
45 Axis Euro Screw		101004113	45 Axis Euro Screw		101004213	45 Axis Euro Screw		101004313
45 Axis Tool-less		101004118	45 Axis Tool-less		101004218	45 Axis Tool-less		101004318
45 Axis Easy Fit		101004117	45 Axis Easy Fit		101004217	45 Axis Easy Fit		101004317
48 Axis		10100412	48 Axis		10100422	48 Axis		10100432
48 Axis Ø8 Dowel		101004121	48 Axis Ø8 Dowel		101004221	48 Axis Ø8 Dowel		101004321
48 Axis Ø10 Dowel		101004122	48 Axis Ø10 Dowel		101004222	48 Axis Ø10 Dowel		101004322
48 Axis Euro Screw		101004123	48 Axis Euro Screw		101004223	48 Axis Euro Screw		101004323
48 Axis Tool-less		101004128	48 Axis Tool-less		101004228	48 Axis Tool-less		101004328
48 Axis Easy Fit		101004127	48 Axis Easy Fit		101004227	48 Axis Easy Fit		101004327
52 Axis		10100413	52 Axis		10100423	52 Axis		10100433
52 Axis Ø8 Dowel		101004131	52 Axis Ø8 Dowel		101004231	52 Axis Ø8 Dowel		101004331
52 Axis Ø10 Dowel		101004132	52 Axis Ø10 Dowel		101004232	52 Axis Ø10 Dowel		101004332
52 Axis Euro Screw		101004133	52 Axis Euro Screw		101004233	52 Axis Euro Screw		101004333
52 Axis Tool-less		101004138	52 Axis Tool-less		101004238	52 Axis Tool-less		101004338
52 Axis Easy Fit		101004137	52 Axis Easy Fit		101004237	52 Axis Easy Fit		101004337

Screw Options	
Ø3,5x16 mm Chipboard Screw	
Euro Screw	
Ø8-10 mm Plastic Dowel	
Easy Fit	
Tool-less	

Hinge Cup Mounting Holes	
Ø2,5x5 mm	
Ø5x12 mm	
(Ø8-10)x12 mm	
Ø10x12 mm	
Ø8x12 mm	

Cranking		Crank 0
DEFINITION	CODE	
45 Axis	10101411	
45 Axis Ø8 Dowel	101014111	
45 Axis Ø10 Dowel	101014112	
45 Axis Euro Screw	101014113	
45 Axis Tool-Less	101014118	
45 Axis Easy Fit	101014117	
48 Axis	10101412	
48 Axis Ø8 Dowel	101014121	
48 Axis Ø10 Dowel	101014122	
48 Axis Euro Screw	101014123	
48 Axis Tool-Less	101014128	
48 Axis Easy Fit	101014127	
52 Axis	10101413	
52 Axis Ø8 Dowel	101014131	
52 Axis Ø10 Dowel	101014132	
52 Axis Euro Screw	101014133	
52 Axis Tool-Less	101014138	
52 Axis Easy Fit	101014137	






Cranking		Crank 9
DEFINITION	CODE	
45 Axis	10101421	
45 Axis Ø8 Dowel	101014211	
45 Axis Ø10 Dowel	101014212	
45 Axis Euro Screw	101014213	
45 Axis Tool-Less	101014218	
45 Axis Easy Fit	101014217	
48 Axis	10101422	
48 Axis Ø8 Dowel	101014221	
48 Axis Ø10 Dowel	101014222	
48 Axis Euro Screw	101014223	
48 Axis Tool-Less	101014228	
48 Axis Easy Fit	101014227	
52 Axis	10101423	
52 Axis Ø8 Dowel	101014231	
52 Axis Ø10 Dowel	101014232	
52 Axis Euro Screw	101014233	
52 Axis Tool-Less	101014238	
52 Axis Easy Fit	101014237	

Cranking		Crank 18
DEFINITION	CODE	
45 Axis	10101431	
45 Axis Ø8 Dowel	101014311	
45 Axis Ø10 Dowel	101014312	
45 Axis Euro Screw	101014313	
45 Axis Tool-Less	101014318	
45 Axis Easy Fit	101014317	
48 Axis	10101432	
48 Axis Ø8 Dowel	101014321	
48 Axis Ø10 Dowel	101014322	
48 Axis Euro Screw	101014323	
48 Axis Tool-Less	101014328	
48 Axis Easy Fit	101014327	
52 Axis	10101433	
52 Axis Ø8 Dowel	101014331	
52 Axis Ø10 Dowel	101014332	
52 Axis Euro Screw	101014333	
52 Axis Tool-Less	101014338	
52 Axis Easy Fit	101014337	

Screw Options

Ø3,5x16 mm Chipboard Screw	
Euro Screw	
Ø8-10 mm Plastic Dowel	
Easy Fit	
Tool-less	

Hinge Cup Mounting Holes

Ø2,5x5 mm	
Ø5x12 mm	
{Ø8-10}x12 mm	
Ø10x12 mm	
Ø8x12 mm	

Track Adjustable Mounting Plate

5 mm		7 mm		9 mm	
DEFINITION	CODE	DEFINITION	CODE	DEFINITION	CODE
Master Track Mounting Plate	10263851	Master Track Mounting Plate	10263871	Master Track Mounting Plate	10263891
Master Track Mounting Plate Ø8 Dowel	10263852	Master Track Mounting Plate Ø8 Dowel	10263872	Master Track Mounting Plate Ø8 Dowel	10263892
Master Track Mounting Plate Ø10 Dowel	10263853	Master Track Mounting Plate Ø10 Dowel	10263873	Master Track Mounting Plate Ø10 Dowel	10263893
Master Track Mounting Plate 6,3x10 Euro Screw	10263855	Master Track Mounting Plate 6,3x10 Euro Screw	10263875	Master Track Mounting Plate 6,3x10 Euro Screw	10263895
Master Track Mounting Plate 6,3x12 Euro Screw	10263858	Master Track Mounting Plate 6,3x12 Euro Screw	10263878	Master Track Mounting Plate 6,3x12 Euro Screw	10263898
Master Track Mounting Plate 6,3x14 Euro Screw	10263854	Master Track Mounting Plate 6,3x14 Euro Screw	10263874	Master Track Mounting Plate 6,3x14 Euro Screw	10263894
Master Track Mounting Plate Ø5x11,5 Dowel	10263857	Master Track Mounting Plate Ø5x11,5 Dowel	10263877	Master Track Mounting Plate Ø5x11,5 Dowel	10263897

Track Mounting Plate - 4 Holes

5 mm		7 mm		9 mm	
DEFINITION	CODE	DEFINITION	CODE	DEFINITION	CODE
Master/Star Track Mounting Plate	10265841	Master/Star Track Mounting Plate	10265861	Master/Star Track Mounting Plate	10265881
Master/Star Track Mounting Plate Ø8 Dowel	10265842	Master/Star Track Mounting Plate Ø8 Dowel	10265862	Master/Star Track Mounting Plate Ø8 Dowel	10265882
Master/Star Track Mounting Plate Ø10 Dowel	10265843	Master/Star Track Mounting Plate Ø10 Dowel	10265863	Master/Star Track Mounting Plate Ø10 Dowel	10265883
Master/Star Track Mounting Plate 6,3x10 Euro Screw	10265845	Master/Star Track Mounting Plate 6,3x10 Euro Screw	10265865	Master/Star Track Mounting Plate 6,3x10 Euro Screw	10265885
Master/Star Track Mounting Plate 6,3x12 Euro Screw	10265848	Master/Star Track Mounting Plate 6,3x12 Euro Screw	10265868	Master/Star Track Mounting Plate 6,3x12 Euro Screw	10265888
Master/Star Track Mounting Plate 6,3x14 Euro Screw	10265844	Master/Star Track Mounting Plate 6,3x14 Euro Screw	10265864	Master/Star Track Mounting Plate 6,3x14 Euro Screw	10265884
Master/Star Track Mounting Plate Ø5x11,5 Dowel	10265847	Master/Star Track Mounting Plate Ø5x11,5 Dowel	10265867	Master/Star Track Mounting Plate Ø5x11,5 Dowel	10265887

samET



samet.com.tr

-  SametGroup
-  SametGroup
-  Samet Kalıp ve Madeni Eşya San. ve Tic. A.Ş.
-  sametinternational